

ELECTRONIC HOMESTYLE

COMMERCIAL STACK WASHER/DRYER

Built for Reliable Performance

Speed Queen's stack washer/dryer brings an innovative stacked concept that takes up half the floor space that a conventional washer and dryer does when situated side by side. The freestanding softmount design can be installed on all floor types or levels. Both washer and dryer have the same hookups and connections as a standard washer and dryer. No additional plumbing or electrical change is needed. Speed Queen's stack washer/dryer combines heavy-duty construction with reliable operation proven to stand the test of time. They're designed with less moving parts for one reason: so you'll face fewer maintenance problems and less wear and tear down the road. Front load products have met every design standard to be 100% ADA compliant.

WASHER (ADA Compliant)

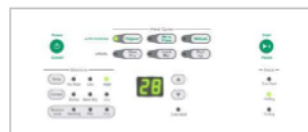
- Rugged suspension system
- Industry leading 1200 RPM spin speed exerts 440 G-force extraction
- Durable stainless steel washtub
- Four-compartment soap dispenser
- Extra-wide 15.5" door opening and 180° door swing

DRYER

- Upfront lint filter easy to clean and secured
- Industry's largest door opening 2.06 sq. ft. (1914 cm²)
- Quiet, efficient blower system



Washer Control



Dryer Control

Electronic homestyle control is designed for durability and easy operation with attractive selection buttons and cycle status indicator lights.

SPECIFICATIONS

COMMERCIAL STACK WASHER/DRYER

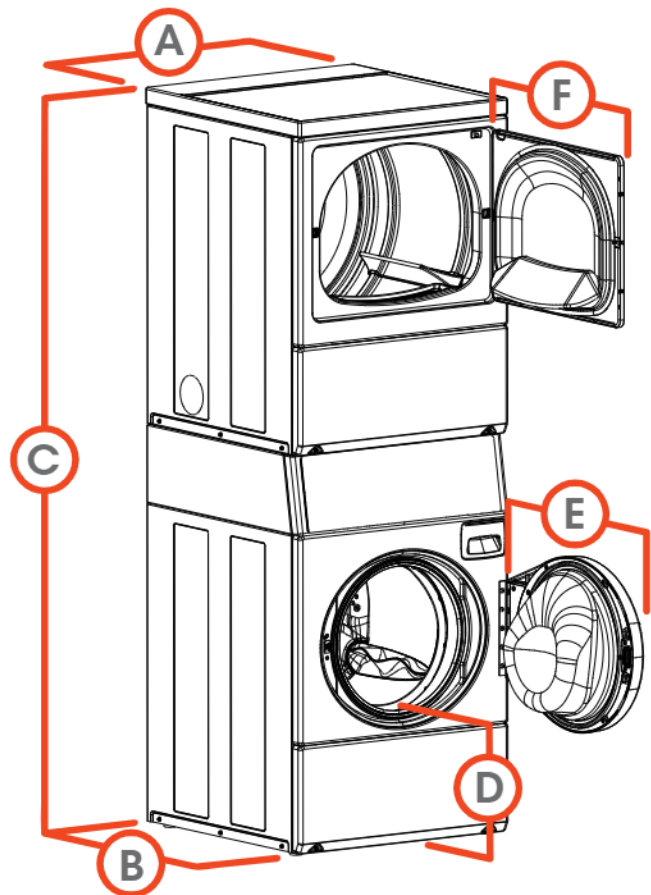
MODEL - see below for all models and activation available	
CONTROL OPTION	Electronic Homestyle
COLOR	White
CAPACITY - lb (kg)	Washer 21.5 (9.5) Dryer 18 (8.2)
CYLINDER VOLUME cu. ft. (liters)	Washer 3.42 (96.8) Dryer 7.0 (198)
MOTOR SIZE - HP (kw)	0.9 (0.67)
TYPE OF GAS (GAS MODELS ONLY)	Factory equipped natural/mixed gas
WATER CONSUMPTION PER CYCLE g (liter)	13.68 (51.8)
IWF (WATER FACTOR) gal/ft ³ (liters/liter/cycle)	4.0 (0.53)
MEF _p (Modified Energy Factor) ft ³ /kWh/cycle (Liters/kWh/cycle)	2.20 (62.3)
AVAILABLE WATER TEMPERATURES	Hot, Warm, Cold
AVAILABLE CYCLES	Washer Heavy Duty, Normal Eco, Perm Press, Delicate, Rinse and Spin Dryer Regular, Perm Press, Delicate, Time Dry, Quick Dry, Fluff Up
AIR OUTLET DIAMETER - mm (in)	4 (102)
EXHAUST AIRFLOW - cfm (liters/sec)	220 (105)
ELECTRICAL REQUIREMENTS	Electric 120/240/60/1-30 amp 120/208/240/60/1-30 amp Gas 120/60/1-15 amp
HEATING ELEMENT	Electric 5350W, 240V 4750W, 208V Gas 25,000 Btu
NET WEIGHT - lb (kg)	350 (158.8)
SHIPPING WEIGHT - lb (kg)	380 (172.4)
SHIPPING DIMENSIONS APPROX. - mm (in)	Width 34 (864) Depth 30 (762) Height 80 (2032)
AGENCY APPROVALS	Electric cULus Gas cCSAus

MODELS	VOLTAGE/FREQ/PH	
LTEE5ASP175TW01	120/240/60/1	Electric
LTEE5ASP155TW01	120/208/240/60/1	
LTGE5ASP115TW01	120/60/1	Gas

NOTE: Stack washer/dryer requires two power cords. One for washer, one for dryer.

Electric dryers come equipped for 240/60/1 operation. They can be field converted to operate on 208/60/1 with optional 61928 conversion kit. Gas dryers can be field converted for operation on LP gas with optional 458P3 conversion kit.

For the most accurate information, the installation guide should be used for all design and construction purposes. Due to continuous product improvements, design and specifications subject to change without notice. The quality management system of Alliance Laundry Systems' Ripon facility has been registered to ISO 9001:2008.



A. OVERALL WIDTH - in (mm)	26.875 (683)
B. OVERALL DEPTH - in (mm)	27.73 (704)
C. OVERALL HEIGHT - in (mm)	78.17 (1986)
D. FLOOR TO DOOR OPENING -in (mm)	14.5 (368)*
E. DOOR SWING - in (mm)	24 (610)

* For ADA compliance turn legs out from base 0.5 inches



by Alliance Laundry Systems

speedqueencommercial.com/multihousing

AM18-0034 • ©2018 Alliance Laundry Systems LLC